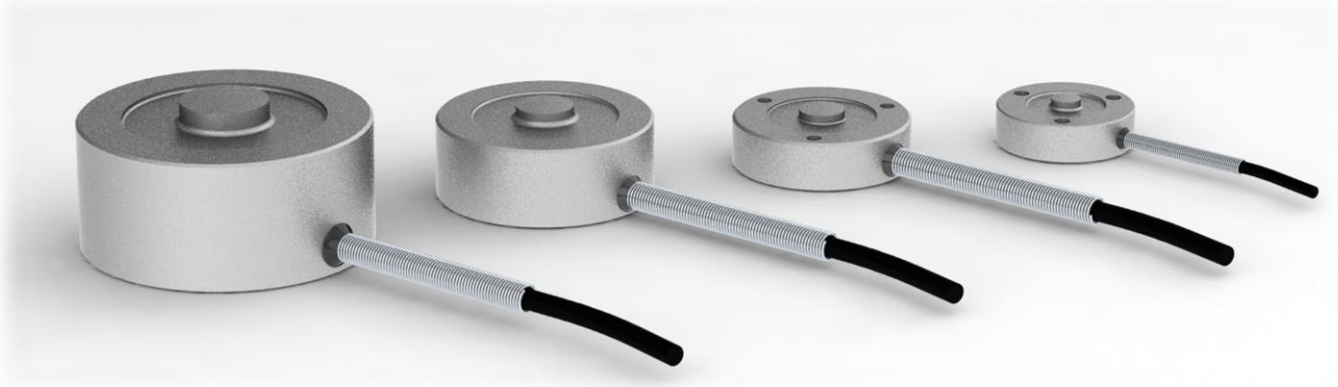
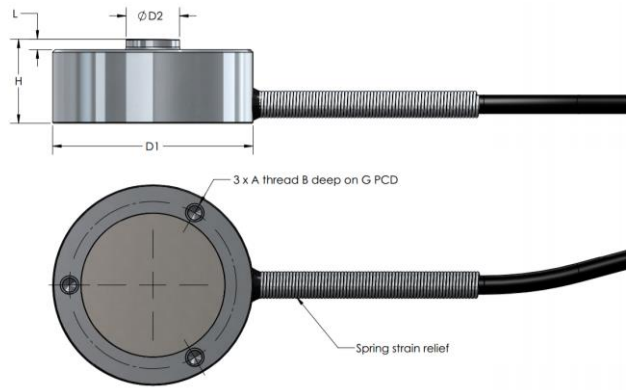


IFFALBM button load cells are strain gauge based transducers with temperature compensation and excellent overall performance. This type provides a range of capacities up to 150kN & 30klb with better than  $\pm 0.5\%$  (full scale) non-linearity. Three tapped holes are provided on the underside for ease of mounting. Amplified and digitised versions are available on request.



## Specification

Parameter	Range	Notes
Capacity (metric)	100, 200, 500, 1000, 2000, 5k, 10k, 1520k, 50k, 100k, 150k N	With metric threads as standard
Capacity (lb)	25, 50, 100, 250, 500, 1000, 2000, 3k, 4k, 5, 7.5k, 10k, 15k, 20k, 30k lb	With UNF threads as standard
Allowable maximum load	150% full scale	No effect on performance
Non-linearity	$\pm 0.5\%$ FS MAX	
Repeatability	$\pm 0.1\%$ FS MAX	
Total error	$\pm 0.8\%$ FS MAX	Non-linearity and hysteresis
Zero balance	2% FS MAX	(10% FS MAX for welded version)
Zero temp coefficient	0.01% FS / °C	
Span temp coefficient	0.02% FS / °C	
Compensated temp range	-15 °C TO 70 °C	Wider range available to order
Operating temp range	-20 °C TO 80 °C	Wider range available to order
Output	2mV/V Nominal 1mV/V Nominal for 100N	Amplified and digitised versions available to order.
Input impedance	420 Ohms nom. for 100N - 500N & 25lb - 100lb 770 Ohms nom. for 1kN - 150kN & 250lb - 30klb	
IP Rating	IP64	



Range	Capacity	D1 mm [in]	D2 mm [in]	H mm [in]	L mm [in]	A	B mm [in]	G mm [in]
ALBM-1M	100 N 200 N 500 N	25,4 [1.00]	5,33 [0.21]	15,75 [0.62]	1,27 [0.05]	M3	5,59 [0.22]	19,05 [0.750]
ALBM-1U	25 lb 50 lb 100 lb	25,4 [1.00]	5,33 [0.21]	15,75 [0.62]	1,27 [0.05]	#4-40 UNC	5,59 [0.22]	19,05 [0.750]
ALBM-2M	1 kN 2 kN 5 kN 10k N	31,75 [1.25]	8,13 [0.32]	9,91 [0.39]	1,27 [0.05]	M4	6,35 [0.25]	25,4 [1.000]
ALBM-2U	250 lb 500 lb 1klb 2 klb	31,75 [1.25]	8,13 [0.32]	9,91 [0.39]	1,27 [0.05]	#6-32 UNC	6,35 [0.25]	25,4 [1.000]
ALBM-3M	15 kN 20 kN 50 kN	38,1 [1.50]	10,16 [0.40]	16,0 [0.63]	2,03 [0.08]	M4	6,35 [0.25]	31,75 [1.250]
ALBM-3U	5 klb 10 klb	38,1 [1.50]	10,16 [0.40]	16,0 [0.63]	2,03 [0.08]	#6-32 UNC	6,35 [0.25]	31,75 [1.250]
ALBM-4M	100 kN 150 kN	50,3 [1.98]	15,24[0.60]	25,4 [1.00]	3,05 [0.12]	M4	6,35 [0.25]	41,3 [1.625]
ALBM-4U	15 klb 20 klb 30 klb	50,3 [1.98]	15,24[0.60]	25,4 [1.00]	3,05 [0.12]	#6-32 UNC	6,35 [0.25]	41,3 [1.625]

