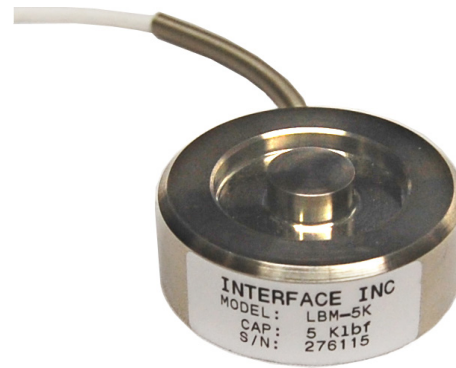


Model LBM Compression Load Button

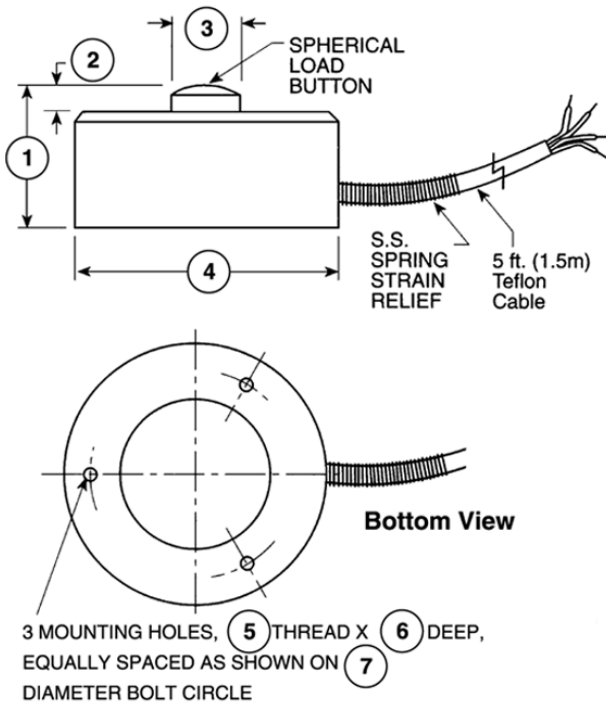
- Capacities from 25 to 50K lbf
- Temperature compensated
- Integral load button
- Small diameter
- Environmentally sealed
- Stainless steel



ACCESSORIES

Instrumentation

Consult factory for more technical information.



SPECIFICATIONS

ACCURACY – (MAX ERROR)

Nonlinearity-% FS	±0.5
Hysteresis-% FS	±0.3
Nonrepeatability-% RO	±0.10

TEMPERATURE

Compensated Range-°F	70 to 170
Compensated Range-°C	21 to 77
Operating Range-°F	-65 to 200
Operating Range-°C	-54 to 93
Effect on Zero-% RO/°F – MAX	±0.005
Effect on Output-%/°F – MAX	±0.005
Zero Balance % FS	±2

ELECTRICAL

Rated Output-mV/V (nominal)	2.0
Bridge Resistance-Ohm (nominal)	350
Excitation Voltage Max	10 VDC

MECHANICAL

Calibration	Comp.
Deflection	0.001-0.003
Safe Overload-% CAP	150
Ultimate Overload % of CAP Cable	300
Length-ft	5
4-conductor Teflon insulated cable	

DIMENSIONS

See Drawing	CAPACITY (lbf)									
	LBM Series									
	25, 50, 100		250, 500, 1K, 2K		5K, 10K		20K		50K	
	inch	mm	inch	mm	inch	mm	inch	mm	inch	mm
(1)	0.62	15.7	0.39	9.90	0.63	16.0	1.0	25.4	1.50	38.1
(2)	0.05	1.30	0.07	1.80	0.08	2.00	0.12	3.00	0.18	4.60
(3)	0.21	5.30	0.32	8.10	0.43	10.9	0.60	15.0	0.78	19.8
(4)	1.00	25.4	1.25	31.8	1.50	38.1	2.00	50.8	3.00	76.2
(5)	4-40 UNC		6-32 UNC		6-32 UNC		6-32 UNC		6-32 UNC	
(6)	0.19	4.83	0.25	6.35	0.25	6.35	0.25	6.35	0.25	6.35
(7)	0.75	19.00	1.00	25.4	1.25	31.8	1.63	41.3	2.38	60.3

LBM
3/10/17