



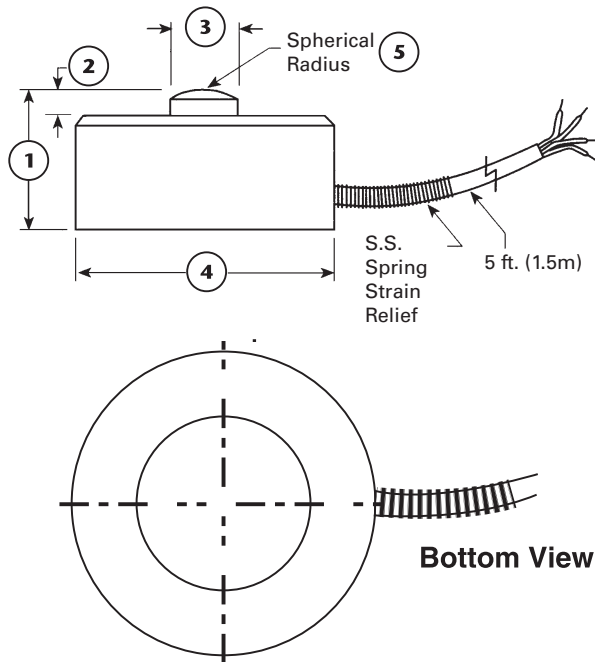
Model LBMU

Model LBMU High Accuracy Compression Load Button

- Capacities from 100 - 1K lbf
- Temperature Compensated
- Superior to Any Other Load Button
- Stainless Steel
- Enhanced Eccentric Load Rejection
- Low Power

**No Other Load Button In the World
Can Meet or Beat This Accuracy!**

Dimensions



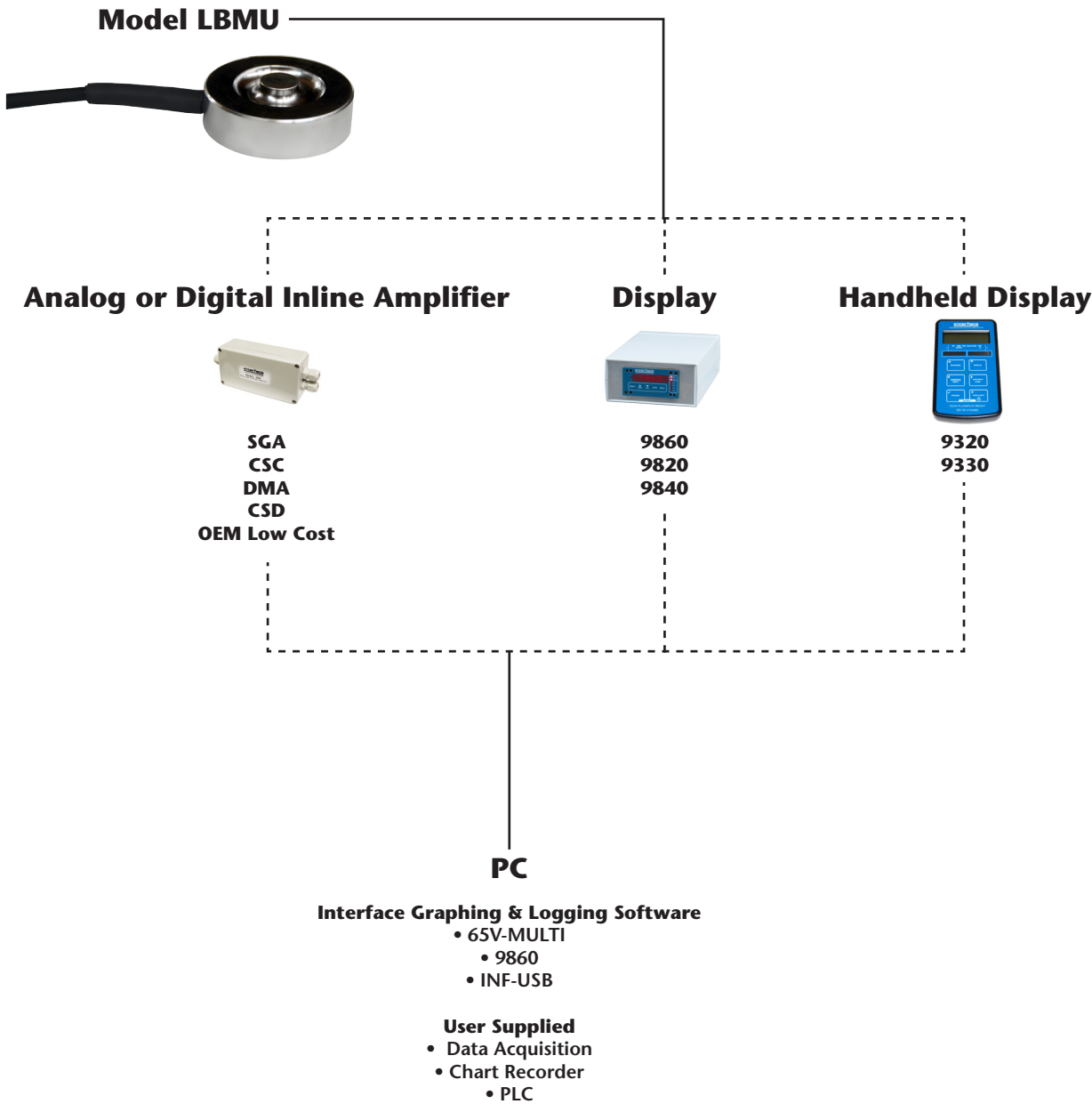
Specifications

Model	LBMU
Capacity	US (lbf) 100, 250, 500, 1K
	Metric (kN) .45, 1.10, 2.20, 4.45
Accuracy -(Max Error)	
Nonlinearity -%FS	±0.15
Hysteresis -%FS	±0.15
Nonrepeatability -%RO	±0.05
Temperature	
Compensated Range -°F	70 to 170
Compensated Range -°C	20 to 75
Operating Range -°F	-65 to 200
Operating Range -°C	-55 to 90
Effect On Zero -%/°F -Max	±0.005
Effect on Output -%/°F -Max	±0.002
Zero Balance -%FS	±2
Electrical	
Rated Output -mV/V (Nominal)	2.0
Bridge Resistance -Ω (Nominal)	700
Excitational Voltage	5VDC
Mechanical	
Safe Overload -% CAP	150
Calibration	Compression
Ultimate Overload -% CAP	300
Deflection -in	0.001 - 0.003
Cable Length -ft	5
Cable Type	4-Conductor

Model	LBMU	
Capacity	US (Inch)	Metric (mm)
	100, 250, 500, & 1K lbf	.45, 1.10, 2.20, & 4.45 kN
1	0.39	9.91
2	0.07	1.78
3	0.32	8.13
4	1.25	31.75
5	1.50	38.10

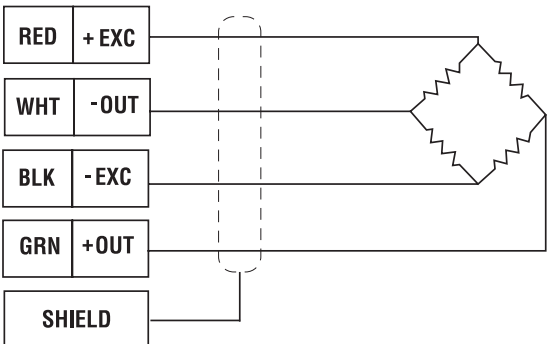
Specifications are subject to change without notice.

Custom Sizes and Capacities Available.



Wiring Diagram

Ordering Information



LBMU - xxx - xxx

Factory Assigned Option Codes for Custom/
Special Configurations

Capacity Rating (in lbf)
[100, 250, 500, 1K]

Model