

LBMP Overload Protected Compression Load Button

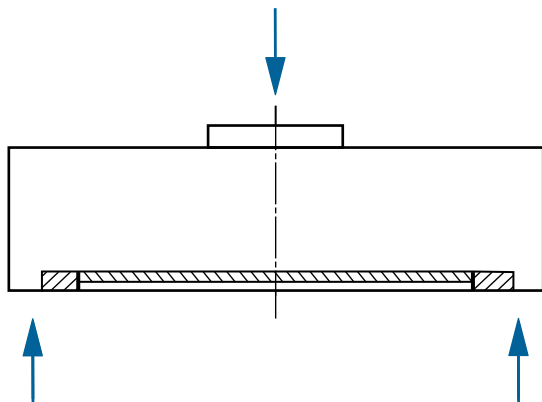


- Capacities from 0.01 kN to 100 kN
- Overload protected
- Temperature compensated
- Small diameter
- Environmentally sealed
- Stainless steel

OPTIONS

- Extended Temperature Range
- Internal Shunt Resistor – 100% output
- Standardized Output

LOADING DIAGRAM



SPECIFICATIONS

ACCURACY – (MAX ERROR)		
Nonlinearity – %FS		±0.5
Hysteresis – %FS		±0.5
Non-repeatability – %RO		±0.2
Creep, in 30 min – %		±0.1
TEMPERATURE		
Effect on Zero – %RO/°C		±0.02
Effect on Output – %RO/°C		±0.02
Compensated Range – °C		0 to +60
Operating Range – °C		-10 to +70
ELECTRICAL		
Output – mV/V	(0.01 kN)	0.5 ± 20%
	(0.02 - 100 kN)	1 ± 20%
Excitation Voltage – VDC	(0.01 - 0.05 kN)	2 - 6
	(0.1 - 100 kN)	2 - 12
Bridge Resistance – Ohm		350
Electrical Connection		3-meter cable
MECHANICAL		
Safe Overload – %CAP	(0.01 - 0.2 kN)	500
	(0.5 - 100 kN)	300
Deflection at Rated Capacity – mm		< 0.15
Cyclic Load Rating – %RO		±70 Peak
IP Rating	(0.01 - 0.02 kN)	IP60
	(0.05 - 100 kN)	IP65
Material		° Stainless Steel

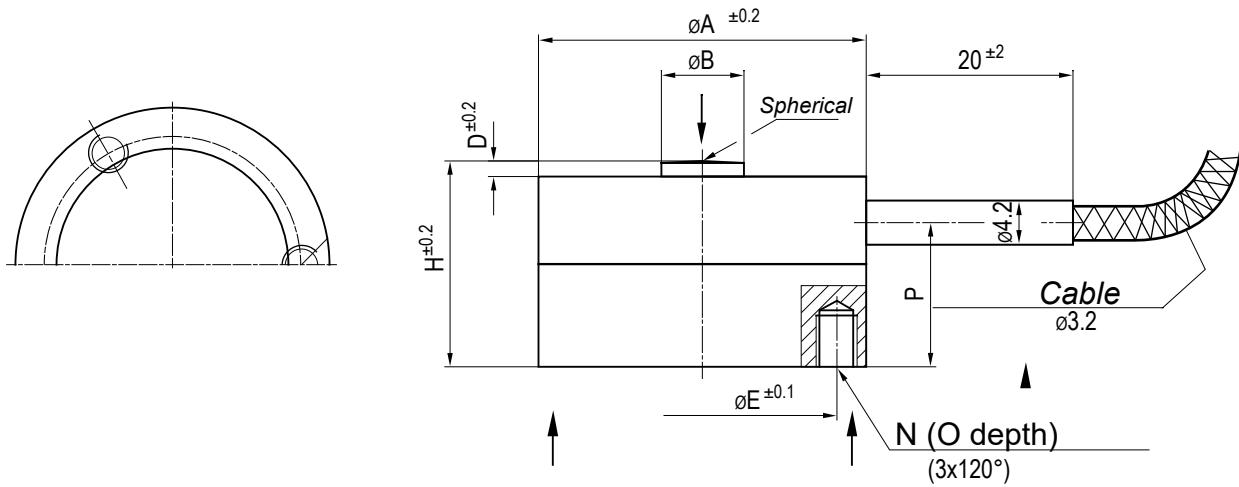
DIMENSIONS

Measuring range [kN]	øA	øB	øC	øD	øE	H	K	L	M	N	O	P
0.01 / 0.02 / 0.05 / 0.1 / 0.2 / 0.5 / 1 / 2 / 5 / 10	32	8	10	1.8	26	20	4	4	M2.5	M4	5	14
20	39	11	16	2	32	24	4.5	5	M3	M3	5	12.5
50	52	15	25	3	42	40	10	6	M4	M4	5	25
100	79	20	39	5	65	50	10	6	M5	M5	6	21

LBMP Overload Protected Compression Load Button

DIMENSIONS (continued)

LBMP with Overload protection



All dimensions in mm